

Advantix-Shower Channel



Viega Advantix-Shower Channel

FEATURES OF New Advantix- Shower Channel

- Assembly-friendly and secure installation in the bonded seal
- High drainage capacities
- Reliable water seal protection
- Premium quality, materials and finishing
- Trendy and designer grates
- Simple care and cleaning
- Overseeable and flexible modular system



Viega Advantix-Shower Channel

viega

New modular system



The new modular system



5

Different Lengths



750mm
800mm
900mm
1.000mm
1.200mm

Viega Advantix-Shower Channel

The new modular system



Advantix Base unit

for Advantix shower channel

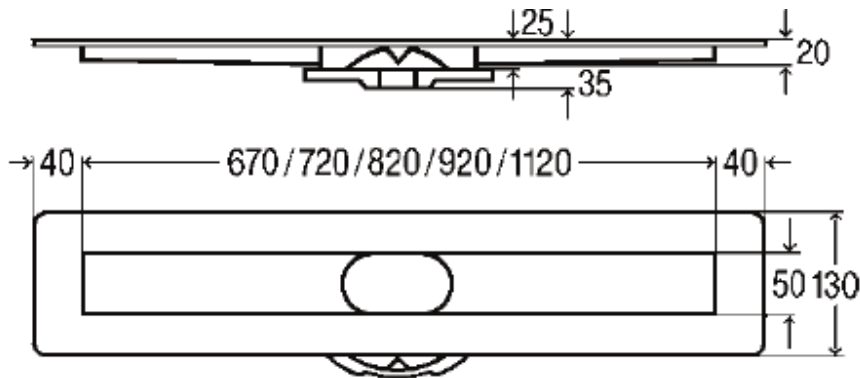
- for bonded sealing (tiled shower) with liquid foil or sealing mat
- stainless steel 1.4301

Components

sand-coated flange, channel drain connection

Load class K=300 kg

Model :-4982.10



Viega Advantix-Shower Channel

The new modular system



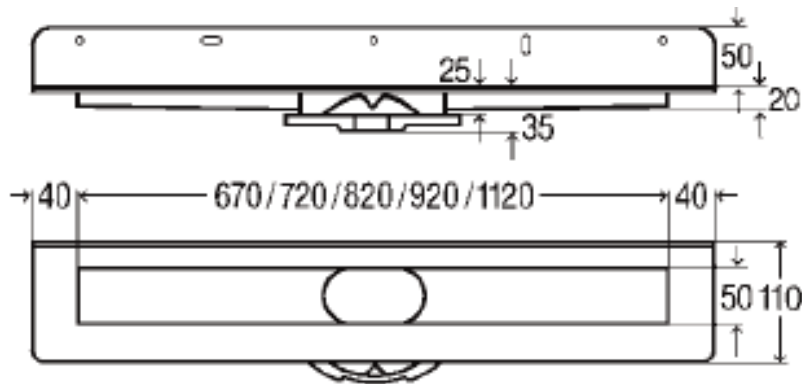
Advantix Base unit
 for Advantix shower channel wall
 -- for bonded sealing (tiled shower) with liquid foil or sealing mat
 -- stainless steel 1.4301

Components

angled sand-coated flange for wall mounting, channel drain connection
 Load class K=300 kg

Note

The material thickness of the flange on the wall is 4.5 mm incl. sound protection strip!



Model 4982.20

Viega Advantix-Shower Channel

Channel drains

Standard model:

Construction heights from 95 mm,
 drainage capacities: 0.5 – 0.55 l/s,
 water seal 50 mm DN 40

Refurbishment model:

Construction heights from 70 mm,
 drainage capacities: 0.4 – 0.45 l/s,
 water seal 25 mm DN 40

Vertical model:

Construction heights \geq 40 mm,
 drainage capacities: 0,9 – 1.1 l/s,
 water seal 50 mm DN 50



3

Different Traps
 For Different Installation Situation

Channel drains

Standard model

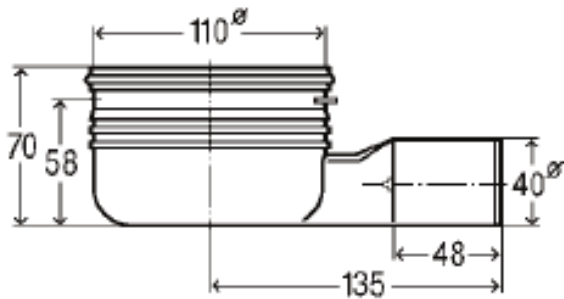


Advantix Odour trap
for Advantix shower channel
-- for installation height from 95 mm
-- can be shortened after installation as
reconstruction model

Components
removable odour trap, cleaning possibility
for connection line, rotatable drain DN40

Water seal height 50 mm
drainage capacities: 0.5 – 0.55 l/s

Model:- 4982.92 Article Code:-737 573



Channel drains

Low Height model

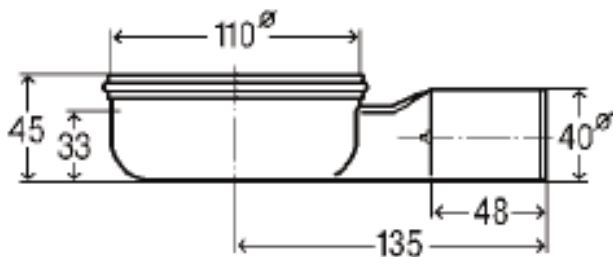


Advantix Odour trap
for Advantix shower channel
(reconstruction model)
-- for installation height from 70 mm

Components
removable odour trap, cleaning possibility
for connection line, rotatable drain DN40

water seal height 25 mm
drainage capacities: 0.4 – 0.45 l/s,

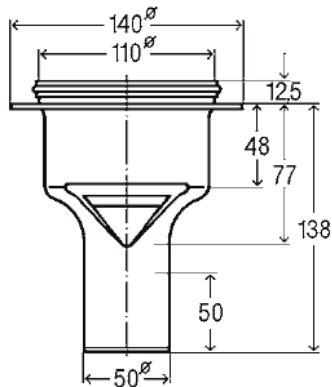
Model :-4982.93 Article Code:-737 580



Viega Advantix-Shower Channel

Channel drains

Vertical model



for Advantix shower channel
 -- for installation height from 40 mm
 -- vertical drain

Components

removable odour trap, cleaning possibility
 for connection line

Outlet DN 50

water seal height 50 mm

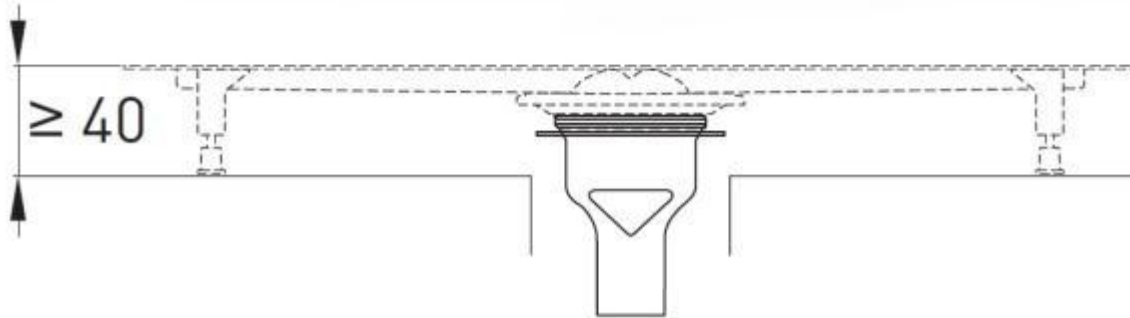
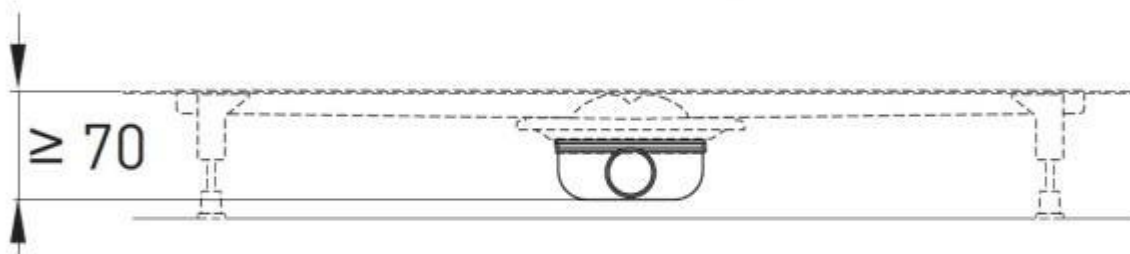
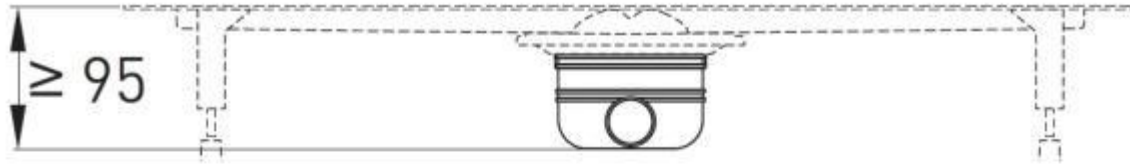
drainage capacities: 0,9 – 1.1 l/s

Model 4982.94

Article Code: -737 597

Viega Advantix-Shower Channel

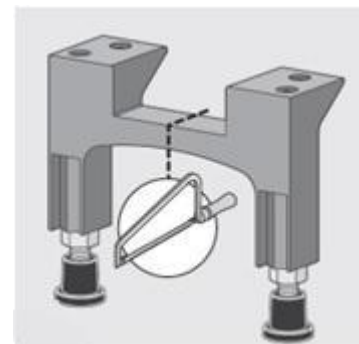
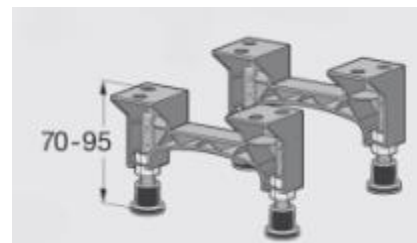
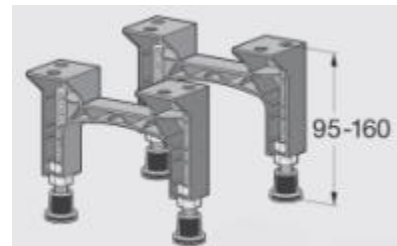
viega



3

Different Installation Height

Mounting Feet:



2

For Two Different
Different Installation Height

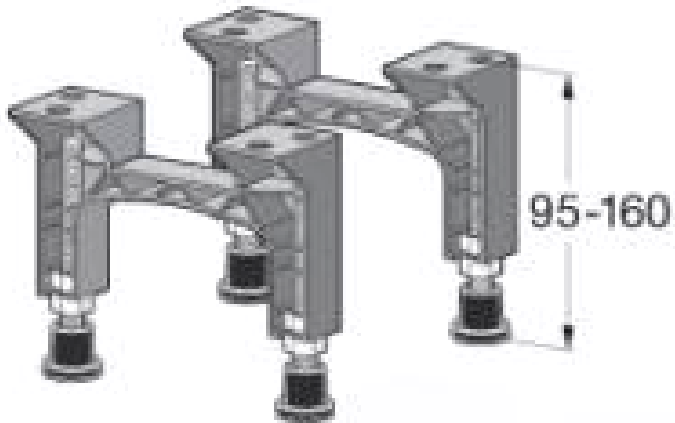
Mounting Feet:



Advantix Adjusting feet set
for Advantix shower channel

construction height :- 95-160 mm

Model :- 4982.90 Article Code:-737 559



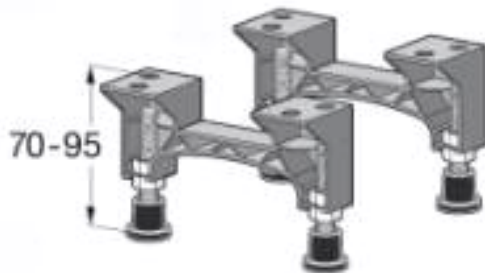
Mounting Feet:



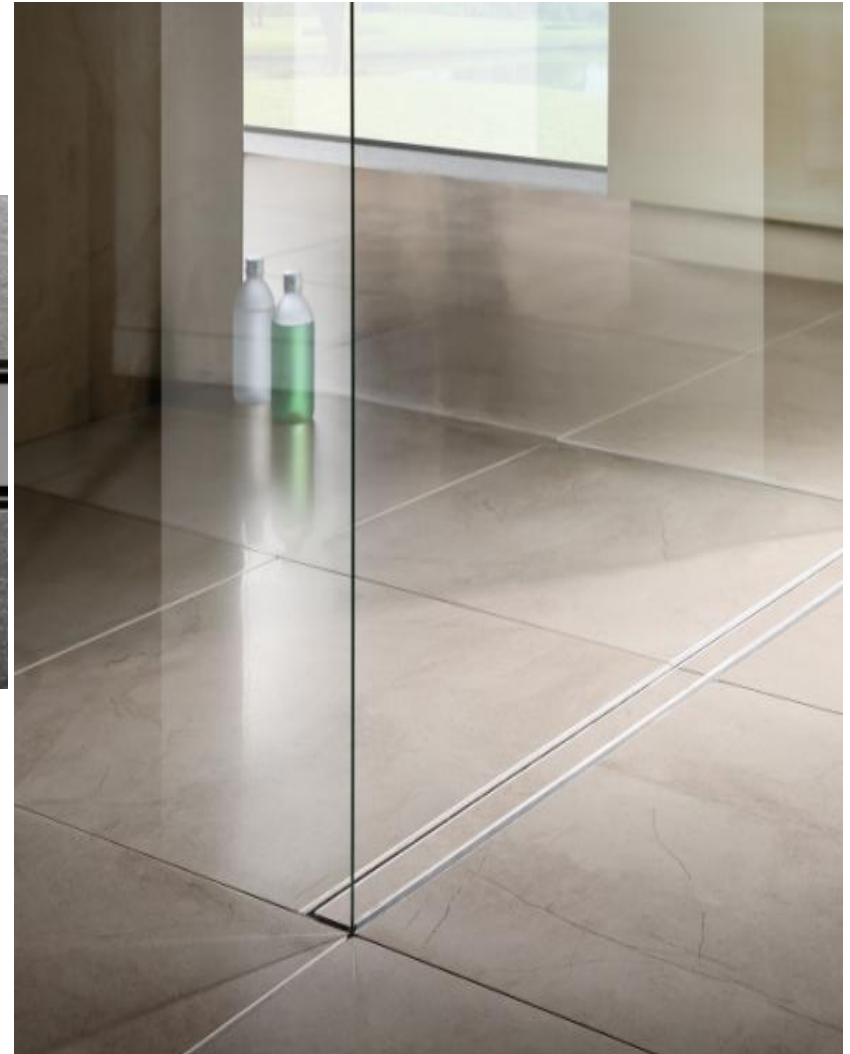
Advantix Adjusting feet set
for Advantix shower channel
(Low Height model)

construction height :- 70-95 mm

Model :-4982.91 Article Code:-737 566

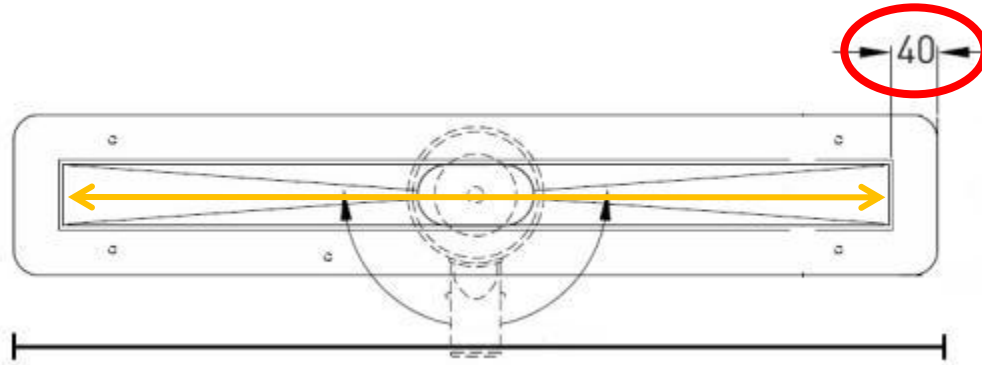


How Wide is the grate visible?



Viega Advantix-Shower Channel

How long is the grate visible ?



800 mm channel



$$800 \text{ mm (Base Length)} - 80 \text{ mm flange width} - 2 \times 5 \text{ mm} = \sim \mathbf{710 \text{ mm}}$$

Viega Advantix-Shower Channel

ER10



4982.50/4982.51

square matt or shiny polished

ER12



4982.71

tile panel without frame

ER11



4982.60/4982.61

rounded matt or shiny polished

ER13



4982.70

tile through with frame

ER14



4982.80/4982.81

glass version grey or black



hair sieve
comes with the grate

Viega Advantix-Shower Channel

viega

ER10

4982.50/4982.51

square matt or shiny polished



hair sieve
comes with the grate

Advantix Grate Visign ER10,
for Advantix shower channel

contur angular

-- for rim height of 6–15 mm
(tile + adhesive)

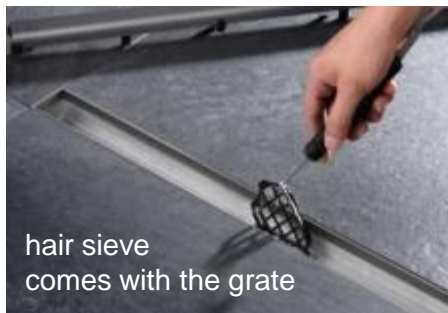
-- stainless steel 1.4301
-- height-adjustable

Components

adjusting feet set, sieve insert

Model No:-4982.50 (Matt Finish)

Model No:-4982.51 (Shiny Finish)



Advantix Grate Visign ER11,
for Advantix shower channel

contur round
-- for rim height of 6–15 mm
(tile + adhesive)

-- stainless steel 1.4301
-- height-adjustable

Components
adjusting feet set, sieve insert

Model No:-4982.60 (Matt Finish)
Model No:-4982.61 (Shiny Finish)

Viega Advantix-Shower Channel

Advantix Grate Visign ER12,
for Advantix shower channel

-- for insertion of a surface of tile or natural
stone of any height

-- stainless steel 1.4301
-- height-adjustable

Components
adjusting feet set, sieve insert

Model:-4982.71

ER12



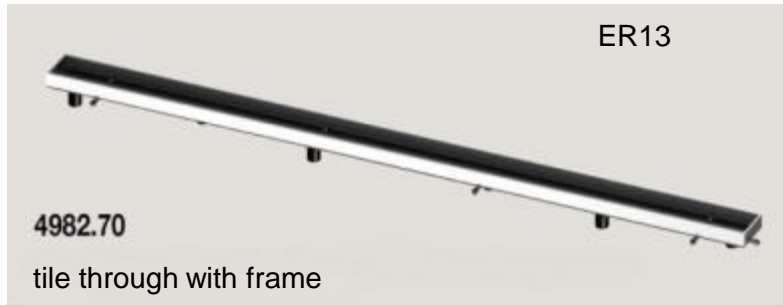
4982.71

tile panel without frame



hair sieve
comes with the grate

Viega Advantix-Shower Channel



Advantix Grate Visign ER13,
for Advantix shower channel

- for insertion of a surface of tile or natural stone of any height
- stainless steel 1.4301
- height-adjustable, surrounding frame 10 mm



Components
adjusting feet set, sieve insert

Model:-4982.70

Viega Advantix-Shower Channel



Advantix Grate Visign ER14,
for Advantix shower channel

- for rim height of 6–18 mm
(tile + adhesive)
- tempered glass (TG)
- height-adjustable



Components
adjusting feet set, sieve insert, square
stainless steel element

Model:-4982.81 (Glass clear/Light grey)
Model:-4982.80 (Glass clear/Black)

Viega Advantix-Shower Channel

viega



Advantages

- High level of flexibility, base unit also available without adjustable foot
- Waste pipe can be laid parallel below the channel
- All grates are height-adjustable, adjustable feet with rubber inlay (creaking)



Viega Advantix-Shower Channel

- Sanded flange for the best possible adhesion of the bonded seal
- Secure drain connection to the channel unit
- All drains with completely removable odour traps
- 70 mm refurbishment model included by sawing

